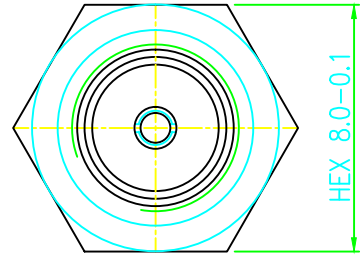
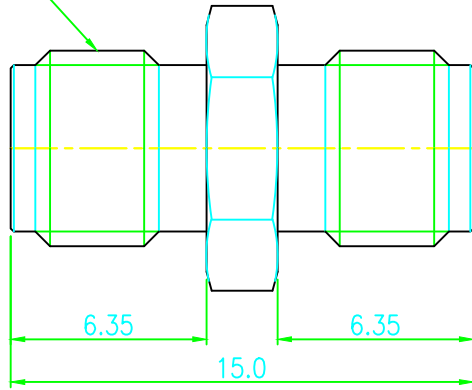


REVISION				
REV NO	DESCRIPTION	APPROVAL	DATE	REMARK
REV 1.0				

1/4-36UNS-2A



NOTE

1. FINISH : 전기Gold 2.5 μ m Min \rightarrow Au 0.3 μ m Min
2. FINISH : 전기Gold 2.5 μ m Min \rightarrow Au 1.27 μ m Min
3. Material: C3604BD / Pin C17300
4. Impedance : 50 Ohm
5. Frequency range : DC ~ 27GHz
6. V.S.W.R : 1.20 MAX

DATE	2018.11.05	품 번 :			품 명 :	ADAPTOR SMA JJ
UNIT	MM	TOLLERANCE	±0.1		모 델 :	
SIZE	A4	SCALE	n/1	DRAW	CHECKED	APPROVAL

