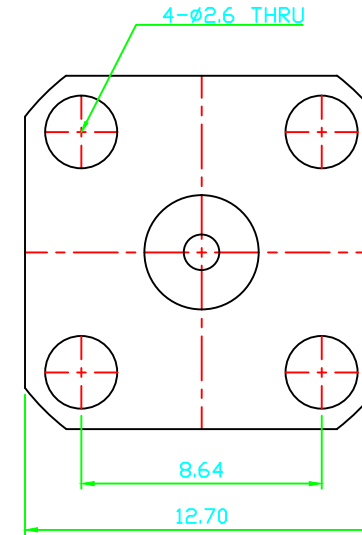
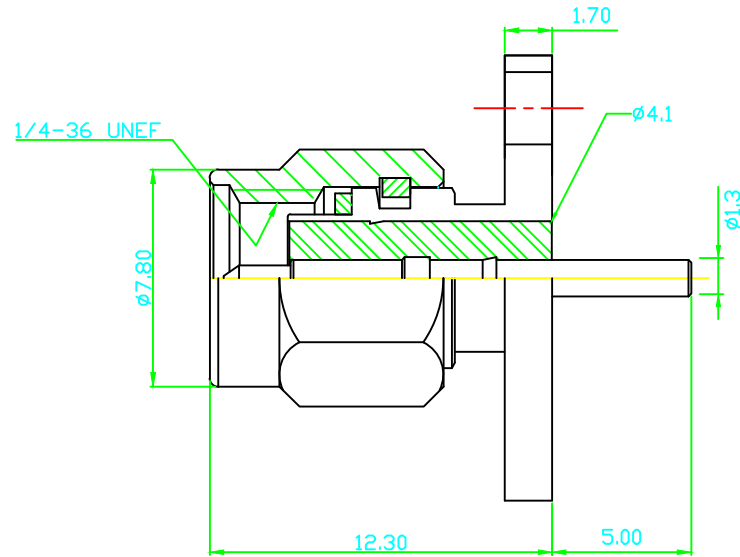


REV	DESCRIPTION	DSG	APR	DATE



NOTE :

- Material and Finish
  - Center contact : Brass / Gold
  - Body : Brass / Gold
  - Cap : Stainless-Steel / Brass / Nickel & Gold
  - Insulator : PTFE
  - Gasket : Silicon Rubber
- Specification
  - Operating Temperature : -45 ~ 120C°
  - 2002/95/EC (RoHS) : Compliant

UNLESS OTHERWISE SPECIFIED					SCALE	MM	UNIT	1:1	TITLE	
DIMENSION	0	0.0	0.00	0.000	ANGLE	PROJ	REV	1.0	SMA(M) 4Hole 0-5	
TOLERANCE	±0.5	±0.1	±0.03	±0.01	±0.5					
<b>알에프시엠</b> HONG MIN KI					DESIGN	CHECK	APPROD.	DWG NO.		
						/		Material		
							2018. 10.25	Finish		
								SEE NOTE 1	1 of 1	A4