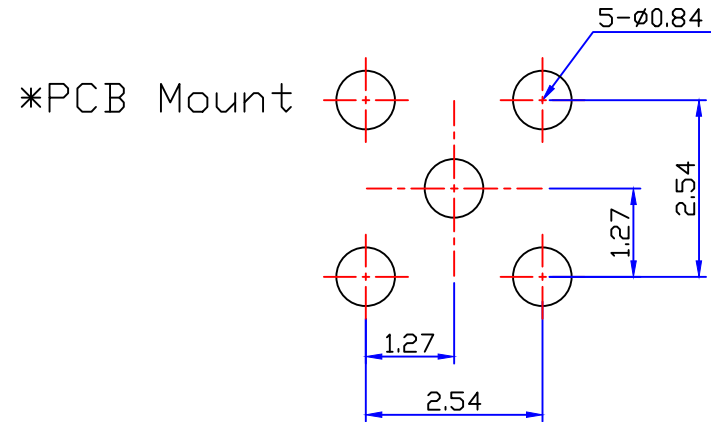
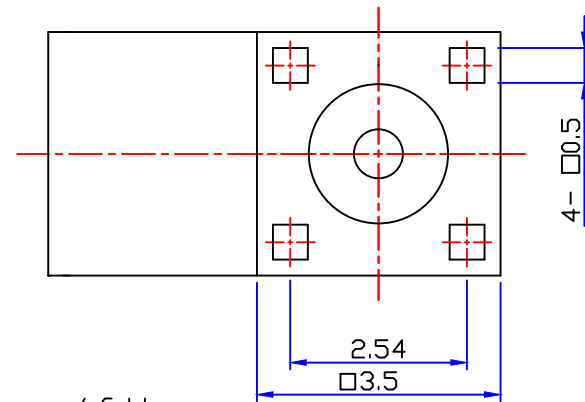
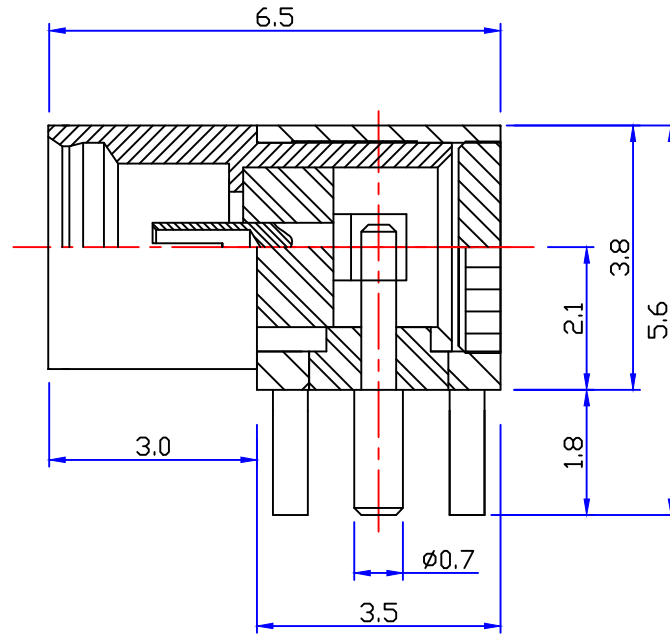


REV	DESCRIPTION	DSG	APR	DATE



NOTE :

- Material and Finish  
 Center contact : Beryllium Copper / Gold  
 Body : Brass / Gold  
 Insulator : PTFE

2. Specification

Operating Temperature : -45 ~ 120C°  
 2002/95/EC (RoHS) : Compliant

UNLESS OTHERWISE SPECIFIED						SCALE	MM	UNIT	1:1	TITLE
DIMENSION	0	0.0	0.00	0.000	ANGLE	PROJ		REV	1.0	MMCX(F)R/A 4R PCB
TOLERANCE	±0.5	±0.1	±0.03	±0.01	±0.5	DESIGN	HONG	CHECK	APPROD.	DWG NO.
<b>알에프시엠</b>						MIN	KI			Material
										KS-D-5101 C3604BD
								2017. 3.24		Finish
										SEE NOTE 1
										1 of 1
										A4