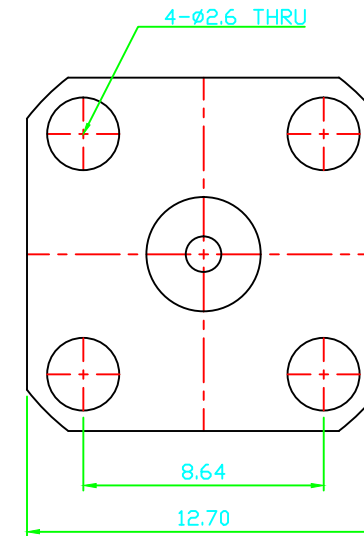
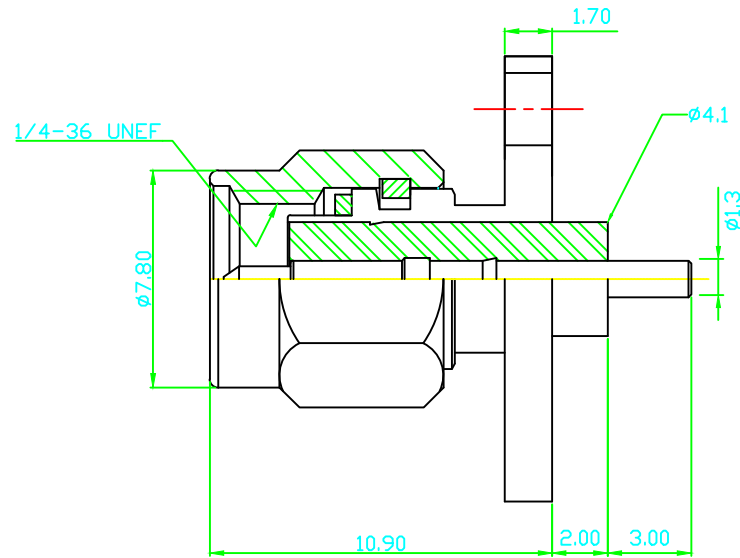


REV	DESCRIPTION	DSG	APR	DATE



NOTE :

- Material and Finish
 - Center contact : Brass / Gold
 - Body : Brass / Gold
 - Cap : Stainless-Steel / Brass / Nickel & Gold
 - Insulator : PTFE
 - Gasket : Silicon Rubber
- Specification
 - Operating Temperature : -45 ~ 120°C
 - 2002/95/EC (RoHS) : Compliant

UNLESS OTHERWISE SPECIFIED					SCALE	MM	UNIT	1:1	TITLE
DIMENSION	0	0.0	0.00	0.000	ANGLE	PRJ	REV	1.0	SMA(M) 4Hole 2-3
TOLERANCE	±0.5	±0.1	±0.03	±0.01	±0.5				
알에프시엠 HONG MIN KI					DESIGN	CHECK	APPRO.	DWG. NO.	
						/		Material	KS-D-5101 C3604BD
							2018. 10.25	Finish	SEE NOTE 1
								1 of 1	A4