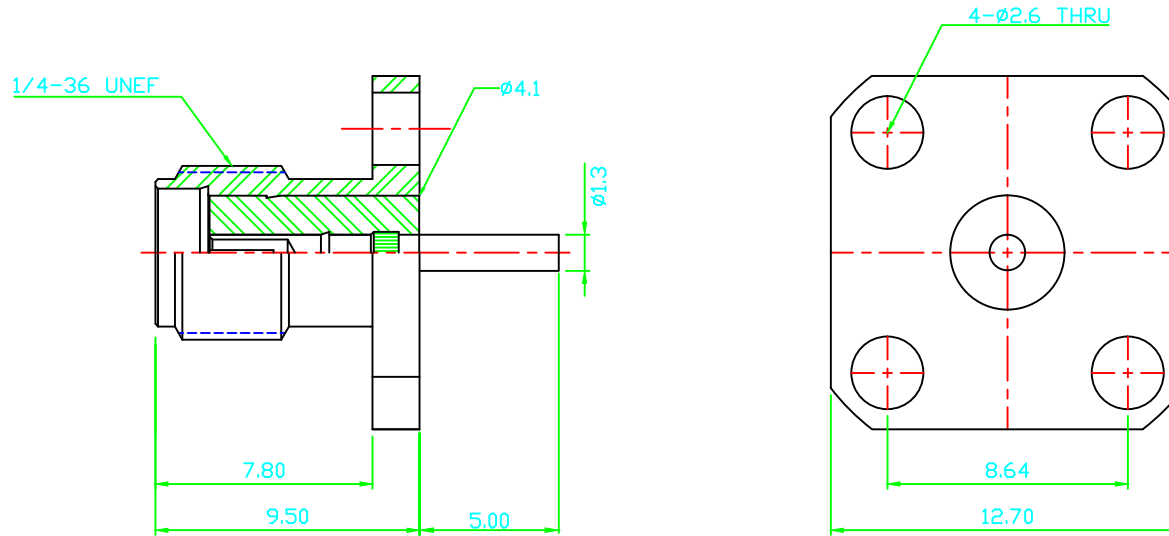


REV	DESCRIPTION	DSG	APR	DATE



NOTE :

1. Material and Finish

Center contact : Beryllium Copper / Gold

Body : Brass / Gold & Nickel

Insulator : PTFE

2. Specification

Operating Temperature : -45 ~ 120C°

2002/95/EC (RoHS) : Compliant

UNLESS OTHERWISE SPECIFIED					SCALE	MM	UNIT	1:1	TITLE
DIMENSION	0	0.0	0.00	0.000	ANGLE	PROJ	REV	1.0	SMA(F) 4Hole 0-5
TOLERANCE	±0.5	±0.1	±0.03	±0.01	±0.5				
알에프시엠 HONG MIN KI					DESIGN	CHECK	APPRO.	DWG NO.	
						/		Material KS-D-5101 C3604BD	
							2017. 3.24	Finish SEE NOTE 1	
								1 of 1	A4