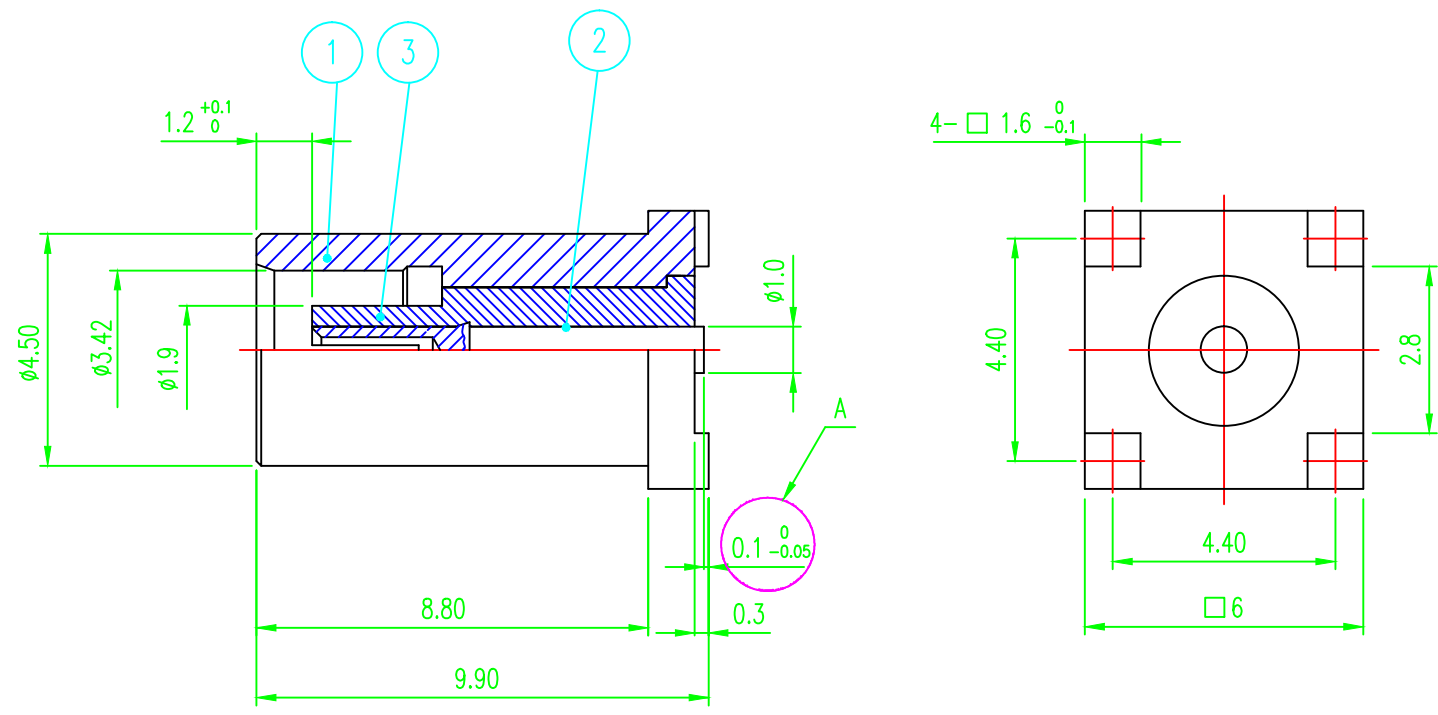


REV	DESCRIPTION	DSG	APR	DATE



Impedance 50 Ω
 Frequency range Dc ~ 6 GHz
 V.S.W.R 6.0 GHz : ≤1.2

1. Specification
 Operating Temperature : -45 ~ 120°C
 2002/95/EC (RoHS) : Compliant

3	INSULATOR	1	TEFLON		
2	CONTACT	1	BeCu	SILVER	
1	BODY	1	MBsBD	Nickr I	
No.	품 명	수량	재질	표면처리	비고

UNLESS OTHERWISE SPECIFIED					SCALE	MM	UNIT	1:1	TITLE		
DIMENSION	0	0.0	0.00	0.000	ANGLE				MCX(F)ST 4R SMT 9.9mm		
TOLERANCE	±0.5	±0.1	±0.03	±0.01	±0.5	PROJ		REV	1.0	DWG NO.	
알에프시엠					DESIGN	CHECK	APPRO.				
					HONG MIN KI	/		Material KS-D-5101 C3604BD			
								2017. 3.24	Finish SEE NOTE 1 1 of 1 A4		