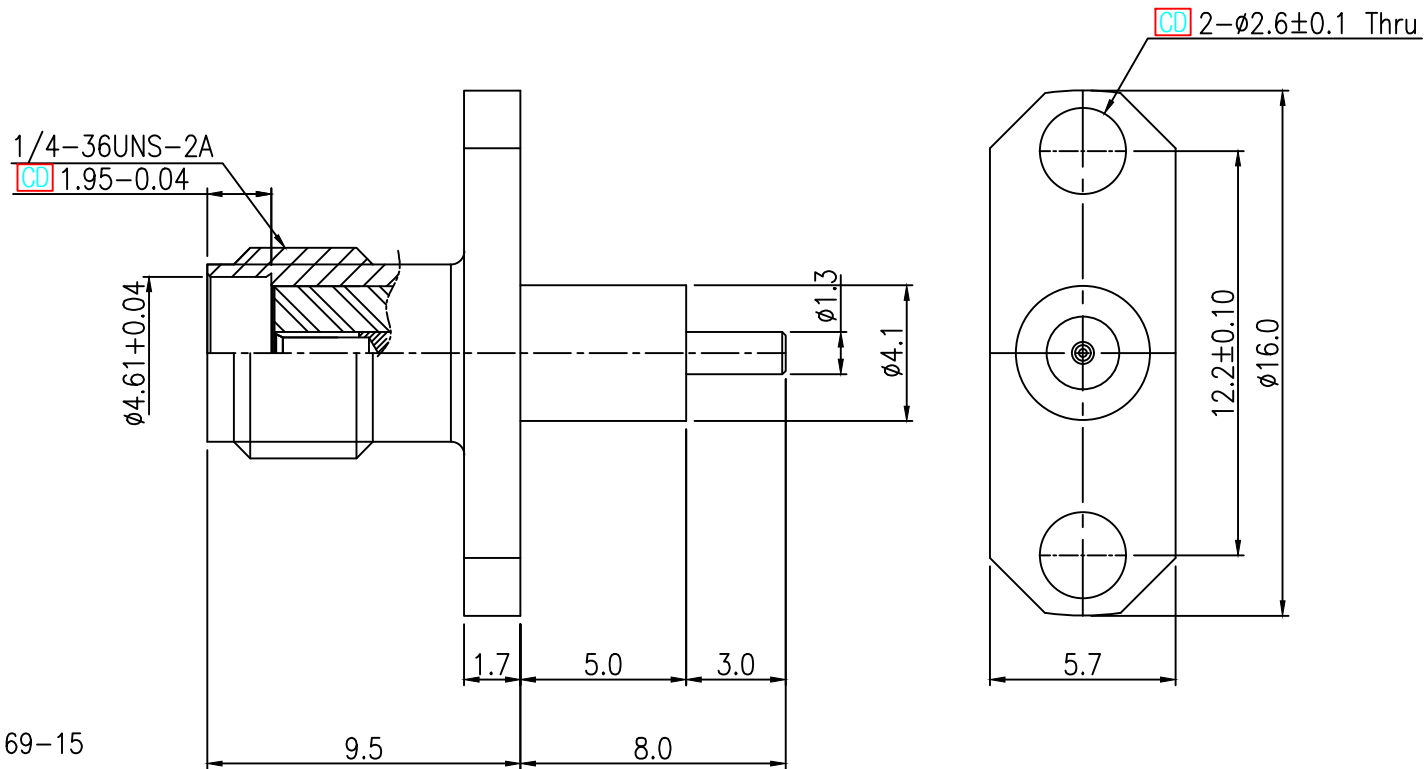


REV	DESCRIPTION	DSG	APR	DATE



NOTE :

- Interface : IEC 169-15  
MIL-C-39012, SMA  
MIL-STD-348B
- Material and finish  
Center contact : Gold plated Beryllium-copper  
Insulator : PTFE  
Body : Gold plated Brass
- Specification  
Frequency range : DC ~ 18GHz  
Impedance : 50 Ohms  
V.S.W.R : 1.35 @ 18GHz  
Operating Temperature : -45 ~ 120C°  
2011/65/EU (RoHS) : Compliant

UNLESS OTHERWISE SPECIFIED : ALL DIMS IN MILLIMETERS TOLERANCES ON DECIMALS 1 PLACE ±0.20 ANGLE ±1.0° 1.60 ✓ 2 PLACE ±0.10 REMOVE BURRS. BREAK SHARP EDGES				THIRD ANGLE 	<h1>RFCM</h1>
DRAW	DESIGN	CHECK	APPRO.	TITLE	
<i>By_KQM</i>	<i>By_KQM</i>		<i>M_HONG</i>	SMA ST JACK 2H FLANGE MOUNT	
2024.05.14	2024.05.14		2024.05.14	SIZE A4	DWG NO. -
Material	SEE NOTE 2.			REV A	
Finish	SEE NOTE 2.			Scale : NS	Do Not Scale Drawing
				1 of 1	