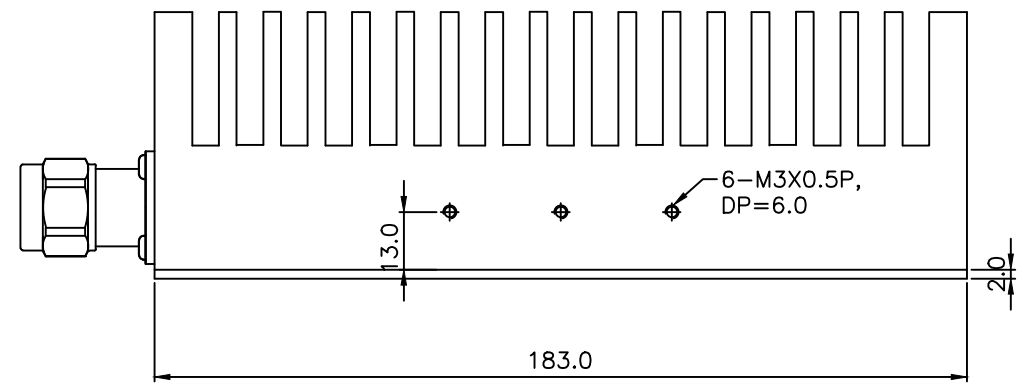
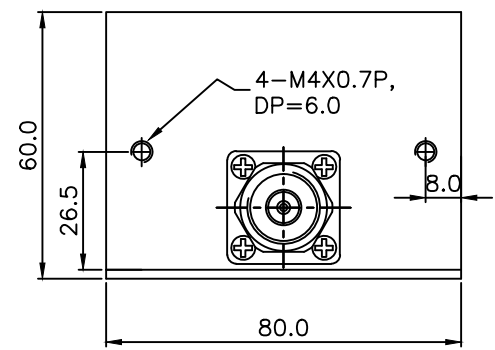


Revision						
ISSUE	Mark	Contents	Design	Check	Appro	DATE
1.0	▲	xx → xx				2003. 12. 03



**ELECTRICAL SPECIFICATIONS**

- 1. Frequency Range (MHz) DC - 4.0GHz
- 2. Impedance (Nominal) 50 Ohms
- 3. V.S.W.R (Max.) 1.3
- 4. Power Rating AVG. 100 watt

**MECHANICAL SPECIFICATIONS**

- 1. Connector Body : Brass  
SuCo Plated
- 2. Connector Contact : Brass  
Gold Plated
- 3. Housing : Aluminum  
Black Anodized

No.	Description	Code	Q'ty	Material	Finish
Specified	Tolerance	Mat'l	N/A		
0.	±0.3	Finish	N/A		
.0	±0.1	Design	Check	Appro	Model
.00	±0.05				
ANG.	±0'30'				Title
Scale	Unit	Proj	Size	Mod.No.	
2/1	mm	▲	A3	Part No.	

**RFCM**

N PLUG 100watt