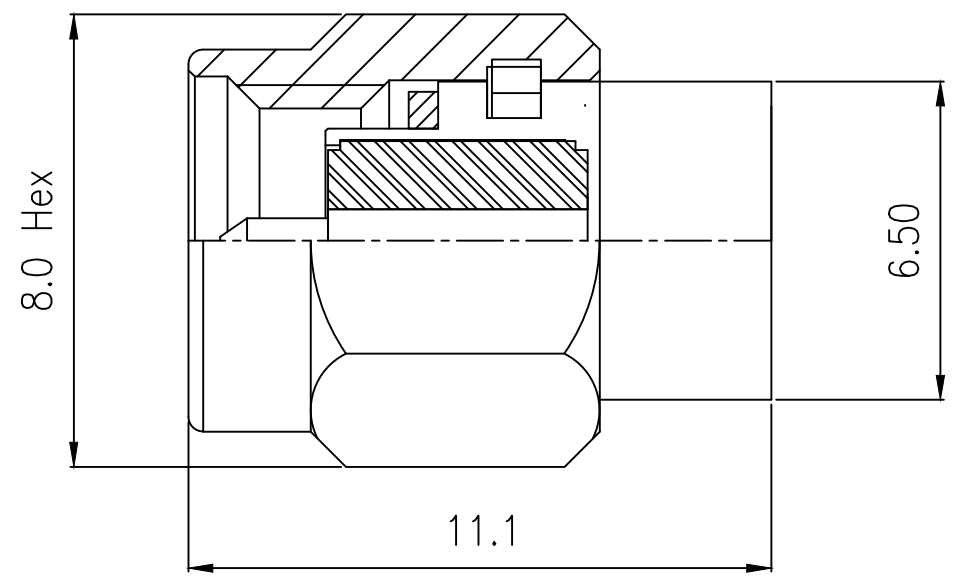


REVISION				
REV NO	DESCRIPTION	APPROVAL	DATE	REMARK
REV 1.0				



NOTE

1. FINISH : 전기Gold 2.5 μ m Min -> Au 0.3 μ m Min
2. FINISH : 전기Gold 2.5 μ m Min -> Au 1.27 μ m Min
3. Cover Power: 1 Watt (Quality Assurance)
4. Impedance : 50 Ohm
5. Frequency range : DC ~ 8.5GHz
6. V.S.W.R : 1.2 MAX
7. Material: C3604BD

DATE	2018.02.20	품 번 :	품 명 : Body
UNIT	MM	모 델 :	SMA(M) TERMINATION
SIZE	A4	DRAW	CHECKED
	SCALE	APPROVAL	
	n/1	알에프씨엠	