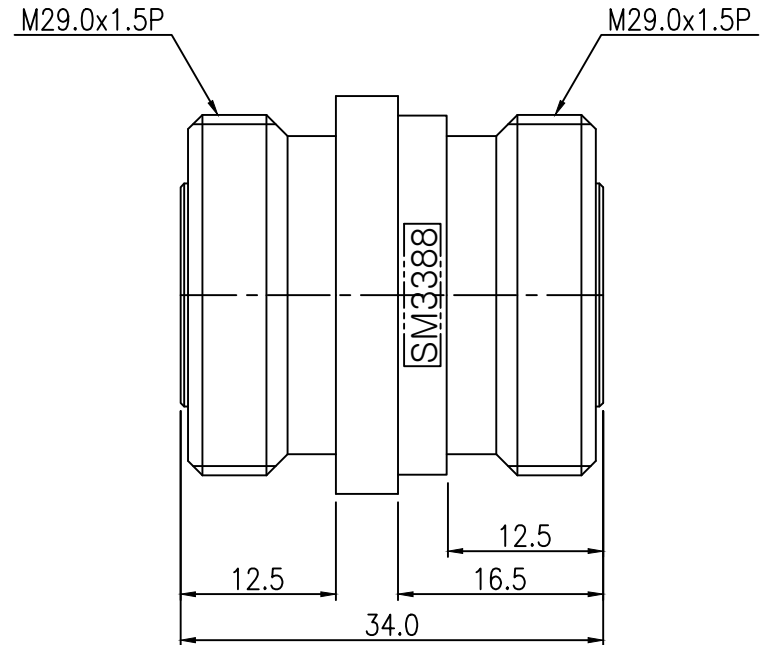
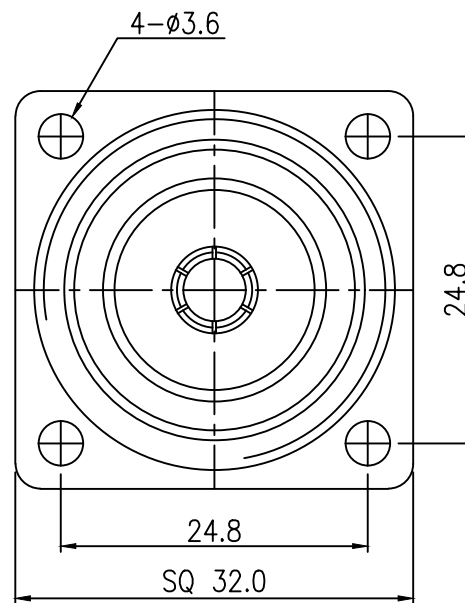


REV	DESCRIPTION	DSG	APR	DATE



NOTE :

1. Interface : IEC 169-4
2. Material and Finish
 Center contact : Silver plated Beryllium copper
 Body : Ternary-alloy plated Brass
 Insulator : PTFE
3. Environmental data
 Frequency range : DC ~ 6GHz
 VSWR : 1.15 : 1 Max
 PIMD 3rd : >165dBc using 2CW tones @ 20W/tone
 Operating Temperature : -45 ~ 120C°
 2011/65/EU (RoHS) : Compliant

UNLESS OTHERWISE SPECIFIED : ALL DIMS IN MILLIMETERS TOLERANCES ON DECIMALS 1 PLACE ±0.20 ANGLE ±1.0° 1.60 ✓ 2 PLACE ±0.10 REMOVE BURRS. BREAK SHARP EDGES				THIRD ANGLE 	RFCM	
DRAW	DESIGN	CHECK	APPRO.	TITLE 7/16 ADAPTOR 50 Ohms 7/16 JACK - 7/16 JACK [SM3388]		
<i>mk_hong</i>	 	<i>mk_hong</i>	<i>mk_hong</i>	2013. 6.28	2013. 6.28	2013. 6.28
Material	SEE NOTE 2.			SIZE A4	DWG NO. CM-10088	REV B
Finish	SEE NOTE 2.			Scale : NS	Do Not Scale Drawing	1 of 1