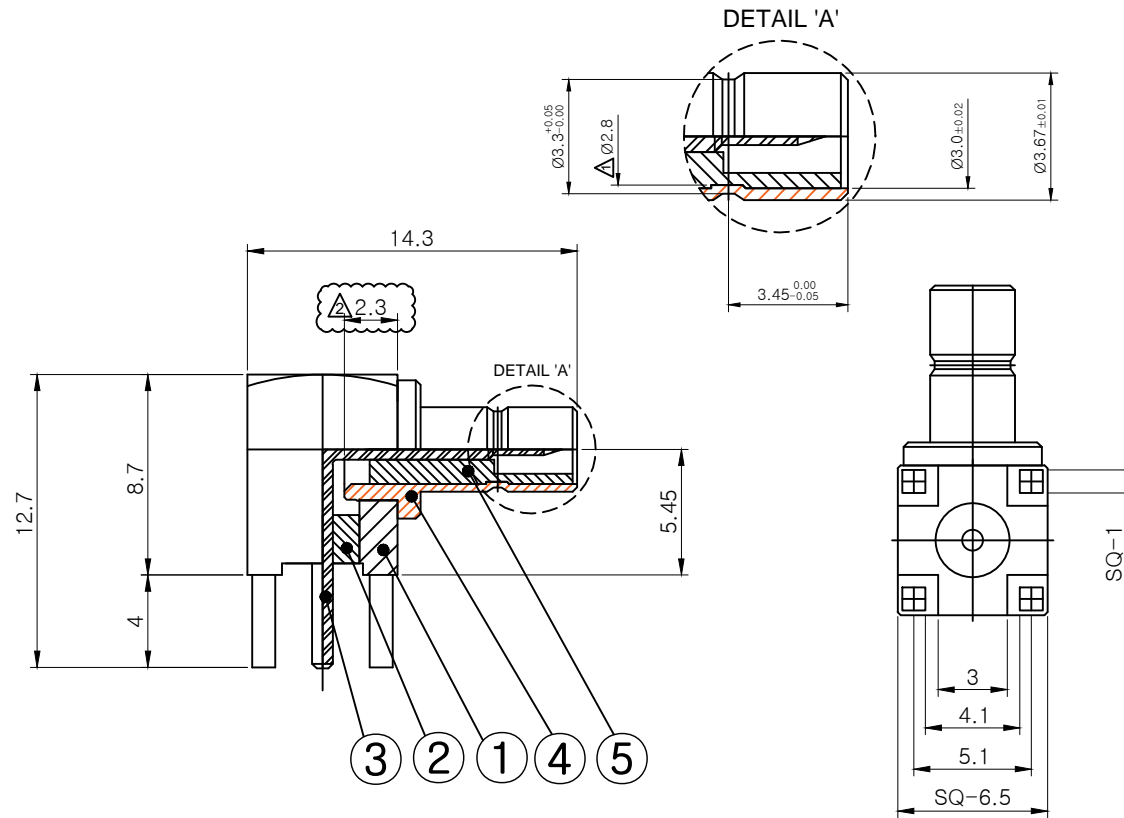


This document contains proprietary information and may not be reproduced or copied without the express written permission of RFCM

REV	DESCRIPTION	DSG	APR	DATE



Specification

Impedance : 50 Ohms
 Frequency range : DC ~ 5.0GHz
 VSWR : 1.20 Max @ 5.0GHz

NOTE

1. FINISH: 전기 Ni 2.5 μ m Min -> Au 0.3 μ m Min
2. 공정간 이동시 찍히지 않도록 유의하여야 한다.
3. CD는 중요한 치수와 관리를 요하는 부분을 나타낸다.

UNLESS OTHERWISE SPECIFIED : ALL DIMS IN MILLIMETERS TOLERANCES ON DECIMALS 1 PLACE #0.20 ANGLE #1.0 2 PLACE #0.10 REMOVE BURRS, BREAK SHARP EDGES				THIRD ANGLE 		R F C M	
DRAW	DESIGN	CHECK	APPRO.	TITLE			
				SMB RA PCB			
2013. 9. 4		2013. 9. 4	2013. 9. 4	SIZE	DWG NO.		REV
Material			SEE PART LIST		A4	A	
Finish			SEE PART LIST		Scale : NS	Do Not Scale Drawing	1 of 1

No.	PART No.	PART NAME	Q'TY	MATERIAL	FINISH(μ m)	REMARKS
5	INSULATOR-B	TEFLON	1			
4	BODY-B	MBsBD(C3604)	1		AU	
3	PIN-A	MBsBD(C3604)	1		AU 0.5 Min	
2	INSULATOR-A	TEFLON	1			
1	BODY-A	MBsBD(C3604)	1		AU	